

NEW PRODUCT RELEASE



VAL-CO Introduces ClearFlo™ Chain Disk Corners!

ClearFlo chain disk corners keep corners clean and feed moving freely!

ClearFlo Chain Disk Corners

Patent Number US 11,008,172 B2

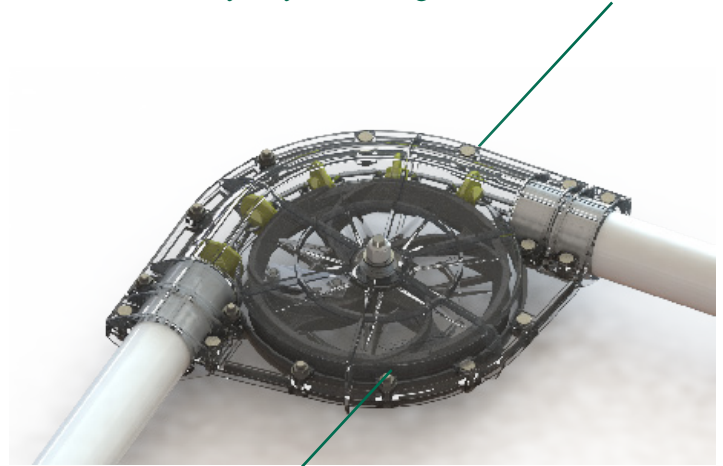
VAL-CO has introduced clear, self-cleaning corners for the chain disk feed delivery system.

- Cast iron wheel has spokes that direct feed to the outside of the wheel.
- Channels on the outer rim allow feed to flow out but limit the amount of feed that can get in.
- A brush cleans the bottom of the housing.
- Ribs within the housing bump rotating feed and push it to the outside of the wheel where it gets picked back up by the chain disk.

After the chain empties, the VAL-CO ClearFlo corner can empty in less than a minute, depending on orientation and feed type.

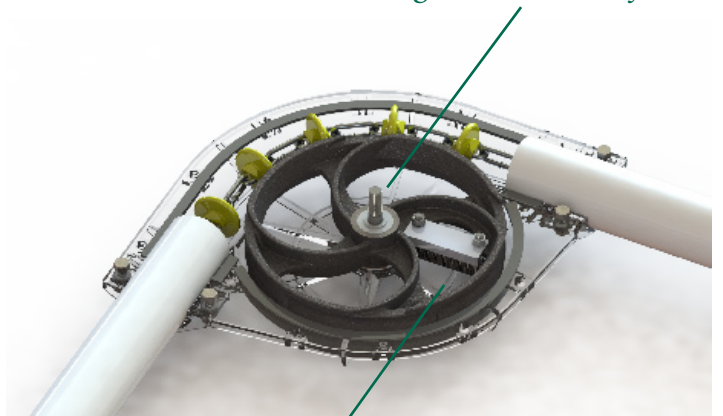
Best Regards,
Sean Francey, General Manager

Watch feed flow through the clear corner.



Channels direct feed into the chain disk.

Ribs agitate and loosen feed.



Brush sweeps feed back to chain disk.